



AT-AM2-0618H-15XC

Active Multiplier x2, 6-18GHz Pout=+15dBm

Active X2, 6-18GHz Frequency Doubler

2022-12-1



Description:

AT-AM2-0618H-15XC is a broadband frequency doubler. The doubler has an input frequency of 3-9 GHz with a typical output +15dBm from 6-18GHz.

The integrated output buffers deliver high output power at a low drive level. The doubler also has a typical harmonic suppression. The input port is SMA female, and the output is SMA Male.

More information, please visit www.atmicrowave.com

Feature

- ✓ Frequency: 6-18GHz
- ✓ Pout: +15dBm typical
- ✓ Input: 3-9GHz
- ✓ Low Harmonics

Application

- ✓ 5G Communication
- ✓ Test Equipment
- ✓ ROF (RF Over Fiber)
- ✓ Radar System

Electronical Specifications:

Parameter	Min	Typical	Max
Input Frequency		3-9GHz	
Input Power	-4dBm	-2dBm	+3dBm
Multiplier Factor		X2	
Output Frequency		6-18GHz	
Output Power	+14dBm	+15dBm	
X1/X3 Suppression vs X2 Pout		-15dBc	
Drain Voltage		+5V	+8V
Current		100mA	150mA
Spec Temp		+25C	





AT-AM2-0618H-15XC

Active Multiplier x2, 6-18GHz Pout=+15dBm

Mechanical Information

Item	Description
Input Port	SMA Female
Output Port	SMA Male
Case Material	Copper
Finish	Gold Plated
Weight	See outline
Size:	30x30x14mm

Absolute Maximum Ratings Table

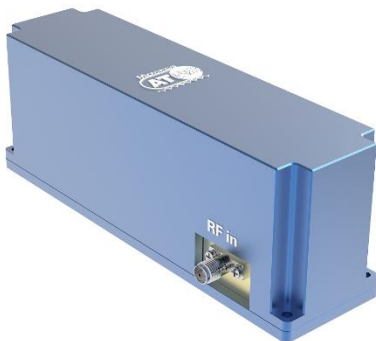
Parameter	Value
Drain Supply	+13V
RF Input Power	+10dBm
Operating Temperature	-40 to +85C
Storage Temperature	-55 to +125C

Notes:

- ✓ Datasheet may be changed according to update of MMIC, Raw materials , process, and so on.
- ✓ This data is only for reference, not for guaranteed specifications.
- ✓ Please contact AT Microwave team to make sure you have the most current data.
- ✓ Always pay attention to the temperature of the case, heatsink and fan are required if case temperature exceeds over 50C.

Part Number Selection Guide

Item	Description
PN	Stand Module with DC Power Supply
PN-LCBT	L ow Cost, C ompact B ench- T op, +220V Supply with AC/DC Adapter

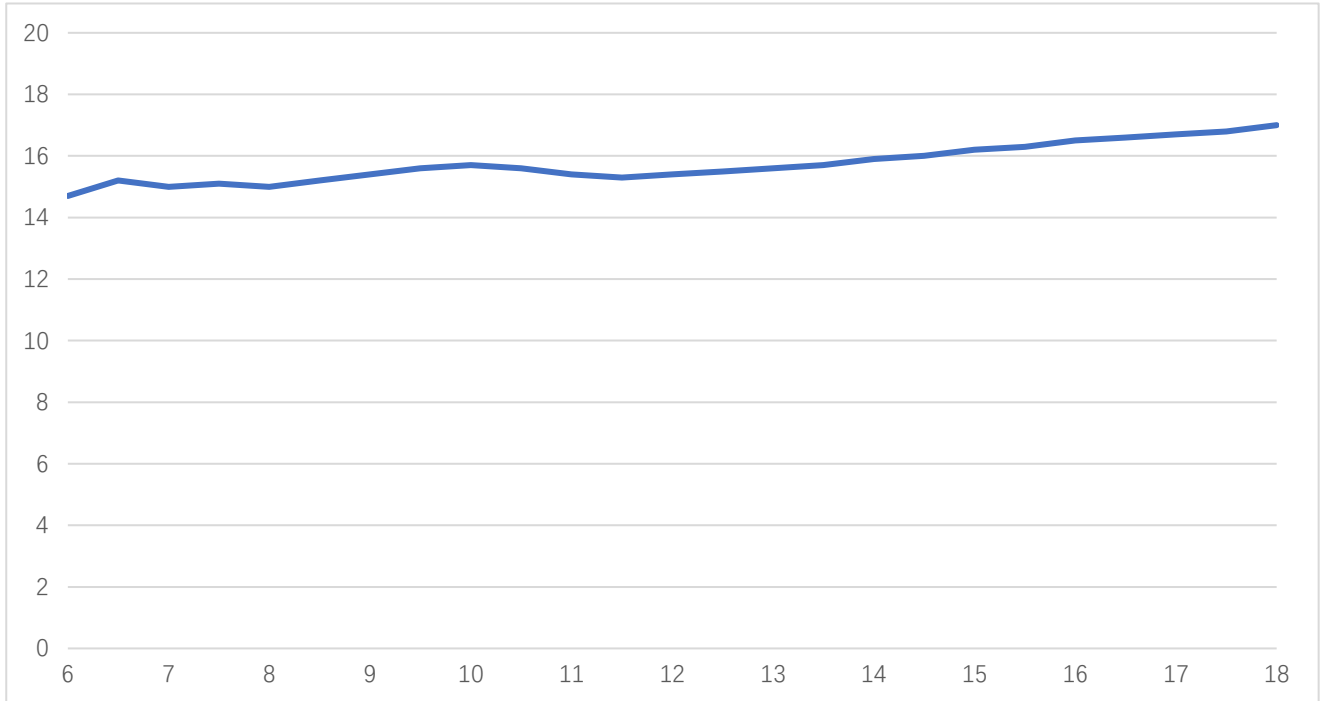




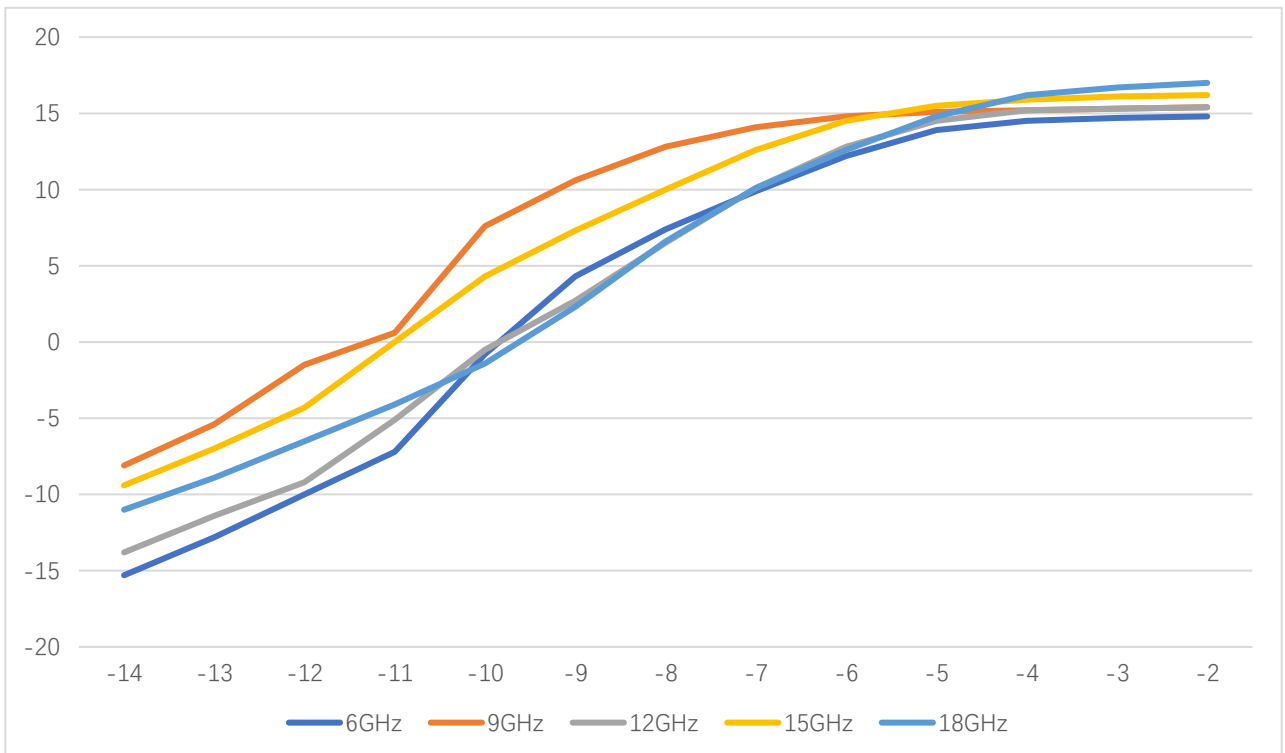
AT-AM2-0618H-15XC

Active Multiplier x2, 6-18GHz Pout=+15dBm

Test Data(25C)



Pout vs Frequency



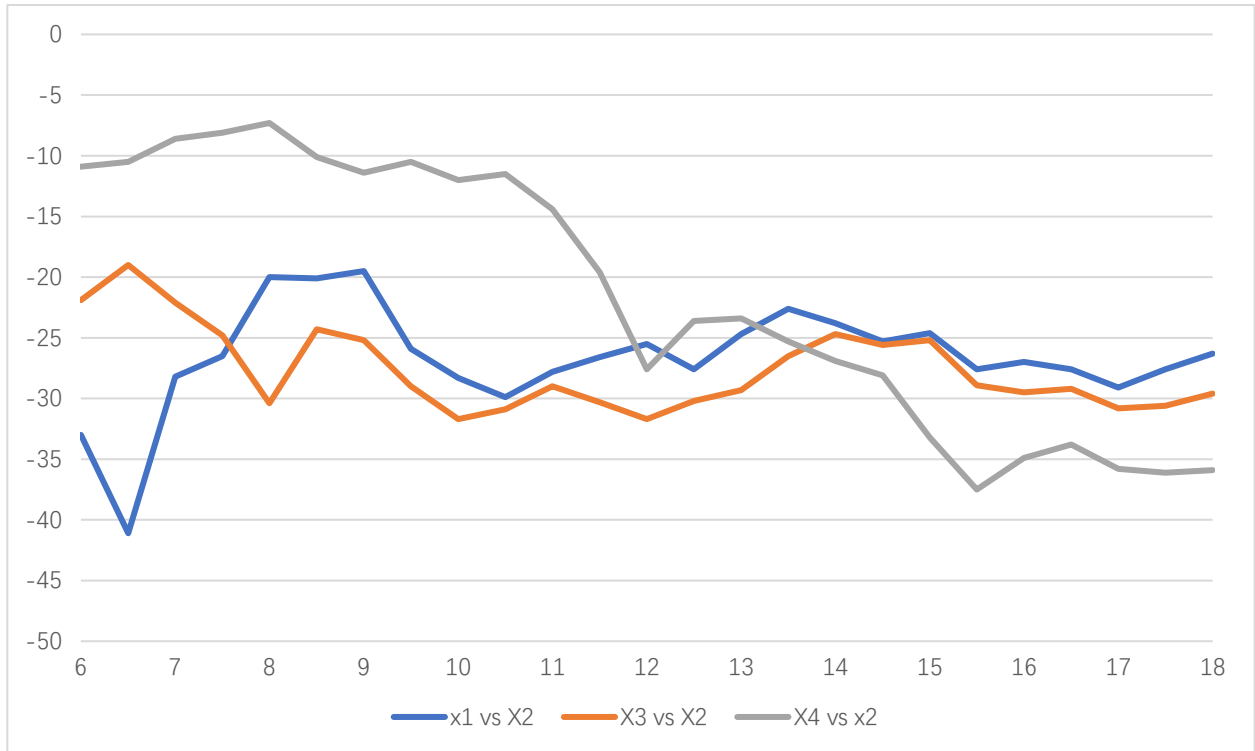
Pout vs Pin





AT-AM2-0618H-15XC

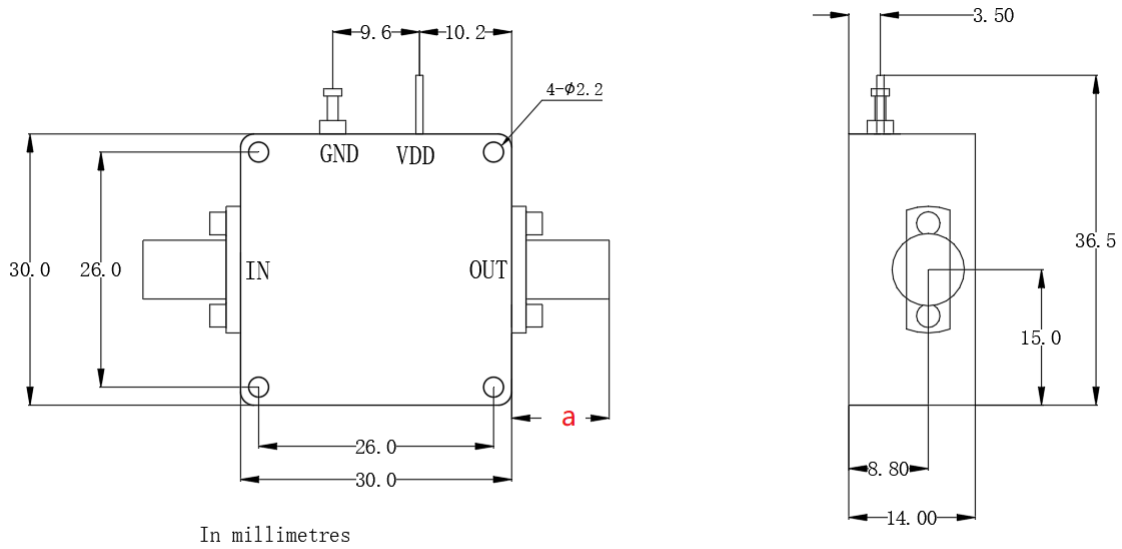
Active Multiplier x2, 6-18GHz Pout=+15dBm



X1/X3/X4 Harmonics vs X2 Pout



Dimension:



	<26.5GHz	<40GHz	<50GHz	<67GHz
Connector	SMA	2.92mm	2.4mm	1.85mm
Lenth of a	9.4mm	9.5mm	10.8mm	11.3mm

Heat Sink Required If Case Temp Higher Than 50C

